

BALDOR® • RELIANCE 

Product Information Packet

EHM3116T-8

1HP,1760RPM,3PH,60HZ,143T,3520M,OPSB,F1

| Part Detail | | | | | | | |
|-------------|---------|-------------|------------|-------------|--------|---------------|------------|
| Revision: | N | Status: | PRD/A | Change #: | | Proprietary: | No |
| Type: | AC | Elec. Spec: | 35WGM848 | CD Diagram: | CD0006 | Mfg Plant: | |
| Mech. Spec: | 35VV807 | Layout: | 35LYVV807 | Poles: | 04 | Created Date: | 12-01-2011 |
| Base: | RG | Eff. Date: | 05-01-2019 | Leads: | 3#18 | | |

| Specs | | | |
|---------------------------------|-------------------------|--------------------------------|--------------------|
| Catalog Number: | EHM3116T-8 | KVA Code: | L |
| Enclosure: | OPSB | Lifting Lugs: | No Lifting Lugs |
| Frame: | 143T | Locked Bearing Indicator: | No Locked Bearing |
| Frame Material: | Steel | Motor Lead Quantity/Wire Size: | 3 @ 18 AWG |
| Output @ Frequency: | 1.000 HP @ 60 HZ | Motor Lead Exit: | Ko Box |
| Synchronous Speed @ Frequency: | 1800 RPM @ 60 HZ | Motor Lead Termination: | Flying Leads |
| Voltage @ Frequency: | 200.0 V @ 60 HZ | Motor Type: | 3520M |
| XP Class and Group: | None | Mounting Arrangement: | F1 |
| XP Division: | Not Applicable | Power Factor: | 71 |
| Agency Approvals: | UR | Product Family: | General Purpose |
| | CSA | Pulley End Bearing Type: | Ball |
| Auxillary Box: | No Auxillary Box | Pulley Face Code: | Standard |
| Auxillary Box Lead Termination: | None | Pulley Shaft Indicator: | Standard |
| Base Indicator: | Rigid | Rodent Screen: | None |
| Bearing Grease Type: | Polyrex EM (-20F +300F) | RoHS Status: | ROHS COMPLIANT |
| Blower: | None | Shaft Extension Location: | Pulley End |
| Current @ Voltage: | 3.500 A @ 200.0 V | Shaft Ground Indicator: | No Shaft Grounding |
| Design Code: | B | Shaft Rotation: | Reversible |

| | | | |
|---------------------------------------|---------------------------|------------------------------------|---------------------|
| Drip Cover: | No Drip Cover | Shaft Slinger Indicator: | No Slinger |
| Duty Rating: | CONT | Speed Code: | Single Speed |
| Electrically Isolated Bearing: | Not Electrically Isolated | Motor Standards: | NEMA |
| Feedback Device: | NO FEEDBACK | Starting Method: | Direct on line |
| Front Face Code: | Standard | Thermal Device - Bearing: | None |
| Front Shaft Indicator: | None | Thermal Device - Winding: | None |
| Heater Indicator: | No Heater | Vibration Sensor Indicator: | No Vibration Sensor |
| Insulation Class: | F | Winding Thermal 1: | None |
| Inverter Code: | Inverter Ready | Winding Thermal 2: | None |

| | | | | | | | | | | | |
|-------------------------------|---------------|--|------|--------|-----|------|---|----------------|----|---|--|
| Nameplate NP2094C06B03 | | | | | | | | | | | |
| CAT.NO. | EHM3116T-8 | | | | | | | | | | |
| SPEC. | 35VV807M848G1 | | | | | | | | | | |
| HP | 1 | | | | | | | | | | |
| VOLTS | 200 | | | | | | | | | | |
| AMPS | 3.5 | | | | | | | | | | |
| RPM | 1760 | | | | | | | | | | |
| FRAME | 143T | | | | HZ | 60 | | | PH | 3 | |
| SER.F. | 1.15 | | CODE | L | | DES | B | | CL | F | |
| NEMA-NOM-EFF | 85.5 | | | PF | 71 | | | | | | |
| RATING | 40C AMB-CONT | | | | | | | | | | |
| CC | 010A | | | | | | | USABLE AT 208V | | | |
| DE | 6205 | | | | ODE | 6203 | | | | | |
| AUTO | N | | | MANUAL | N | | | NONE | Y | | |
| ENCL | OPSB | | | SN | | | | | | | |
| BLANK | | | | | | | | | | | |

| Parts List | | |
|-------------|--|----------|
| Part Number | Description | Quantity |
| SA235244 | SA 35VV807M848G1 | 1.000 EA |
| RA222206 | RA 35VV807M848G1 | 1.000 EA |
| NS2512A01 | INSULATOR, CONDUIT BOX X | 1.000 EA |
| 35CB4004A17 | SHEET METAL KOBX 35 (STAMPED) 35CB4004 L | 1.000 EA |
| 51XT1032A04 | 10-32X1/4 HX WA SL SR TYT (F/S) | 4.000 EA |
| 11XW1032G06 | 10-32 X .38, TAPTITE II, HEX WSHR SLTD U | 1.000 EA |
| HW3001B01 | BRASS CUP WASHER, FOR #10 SCREW | 1.000 EA |
| 35EP3209B00 | MASTER ODE,203 BRG,GRSR,RLF | 1.000 EA |
| HW4500A19 | 1/4-28X1/4 SLOTTED PLUG F/S | 1.000 EA |
| HW4500A20 | 1/8NPT SL PIPE PLUG | 1.000 EA |
| HW5100A03 | WAVY WASHER (W1543-017) | 1.000 EA |
| 35EP3210D00 | MASTER DE,205 BRG,GRSR,STD SH,AEGIS HALF | 1.000 EA |
| 91XN0540J08 | SCREW, 5-40 X 1/2", FHC, AS | 2.000 EA |
| HW4500A19 | 1/4-28X1/4 SLOTTED PLUG F/S | 1.000 EA |
| HW4500A20 | 1/8NPT SL PIPE PLUG | 1.000 EA |
| XY1032A02 | 10-32 HEX NUT DIRECTIONAL SERRATION | 4.000 EA |
| 35CB4509 | BOX LID MODEL 35 FOR 35CB4004-GALV & PHO | 1.000 EA |
| 51XB1016A08 | 10-16X 1/2HXWSSLD SERTYB | 4.000 EA |
| HW2501D13 | KEY, 3/16 SQ X 1.375 | 1.000 EA |
| HA7000A01 | KEY RETAINER 7/8" DIA SHAFT | 1.000 EA |
| HA6362ZP | LIFTING LUG FOR 36 FRAME MOTORS. | 2.000 EA |
| HW1000A10 | #10 FLAT WASHER (SAE) | 2.000 EA |
| MJ1000A02 | GREASE, MOBIL POLYREX EM - 124047 | 0.050 LB |
| MG1000G27 | MED CHARCOAL METALLIC GREY 400-0096 | 0.017 GA |

| Parts List (continued) | | |
|-------------------------------|--|-----------------|
| Part Number | Description | Quantity |
| HA3100A37 | THRUBOLT 10-32 X 8.500 | 4.000 EA |
| 35AD2005A01 | BAFFLE PLATE,MOD 35-SLTD BAND MTRS GL.F. | 2.000 EA |
| LC0006 | CONNECTION LABEL | 1.000 EA |
| NP2094C06B03 | NP LABEL W/BARCODE (FOR HVAC MOTOR) | 1.000 EA |
| 35PA1066 | PKG GRP, PRINT PK1008A06 | 1.000 EA |
| MN416A01 | TAG-INSTAL-MAINT no wire (1200/bx) 3/19 | 1.000 EA |
| PE-0000001 | ZRTG PE ASSEMBLY | 1.000 EA |
| FE-0000001 | ZRTG FE ASSEMBLY | 1.000 EA |

AC Induction Motor Performance Data

Record # 32067 - Typical performance - not guaranteed values

| | | |
|-------------------------------|--------------------|------------------------|
| Winding: 35WGM848-R002 | Type: 3520M | Enclosure: OPSB |
|-------------------------------|--------------------|------------------------|

| Nameplate Data | | | | 200 V, 60 Hz: Single Voltage Motor | |
|-----------------------|--------------|--------------|----|---------------------------------------|--------------------------|
| Rated Output (HP) | 1 | | | Full Load Torque | 2.99 LB-FT |
| Volts | 200 | | | Start Configuration | direct on line |
| Full Load Amps | 3.5 | | | Breakdown Torque | 13.4 LB-FT |
| R.P.M. | 1760 | | | Pull-up Torque | 8.19 LB-FT |
| Hz | 60 | Phase | 3 | Locked-rotor Torque | 8.46 LB-FT |
| NEMA Design Code | B | KVA Code | L | Starting Current | 28.4 A |
| Service Factor (S.F.) | 1.15 | | | No-load Current | 2.45 A |
| NEMA Nom. Eff. | 85.5 | Power Factor | 71 | Line-line Res. @ 25°C | 2.89 Ω |
| Rating - Duty | 40C AMB-CONT | | | Temp. Rise @ Rated Load | 36°C |
| S.F. Amps | | | | Temp. Rise @ S.F. Load | 42°C |
| | | | | Locked-rotor Power Factor | 54.1 |
| | | | | Rotor inertia | 0.118 LB-FT ² |

Load Characteristics 200 V, 60 Hz, 1 HP

| % of Rated Load | 25 | 50 | 75 | 100 | 125 | 150 | S.F. |
|-----------------|------|------|------|------|------|------|------|
| Power Factor | 29 | 46 | 60 | 69 | 75 | 80 | 75 |
| Efficiency | 74 | 83.1 | 85.3 | 85.6 | 85.3 | 84.4 | 85.5 |
| Speed | 1790 | 1781 | 1771 | 1760 | 1748 | 1736 | 1753 |
| Line amperes | 2.54 | 2.84 | 3.19 | 3.65 | 4.21 | 4.85 | 3.86 |

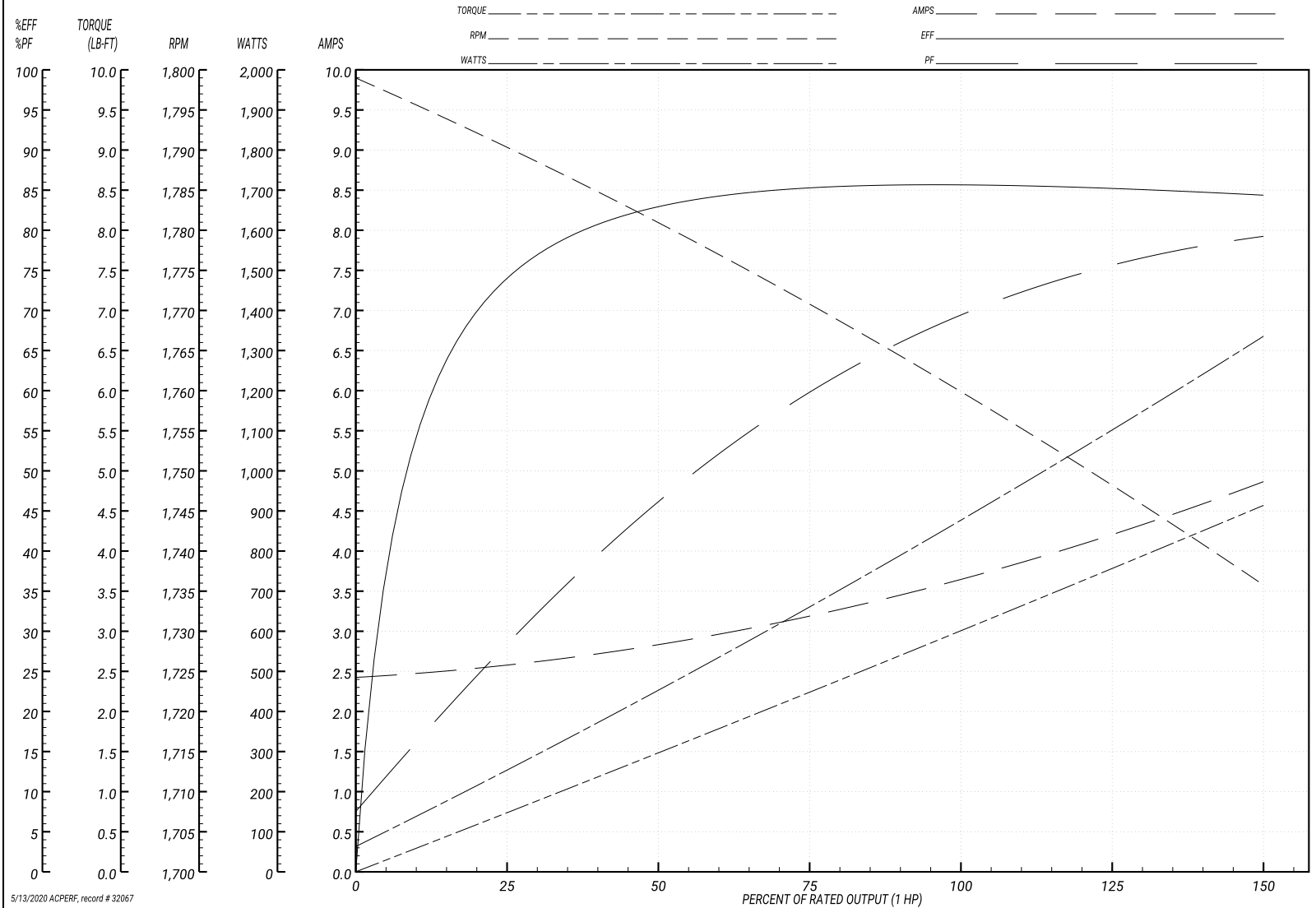
Performance Graph at 200V, 60Hz, 1.0HP Typical performance - Not guaranteed values

ABB Motors and Mechanical Inc.

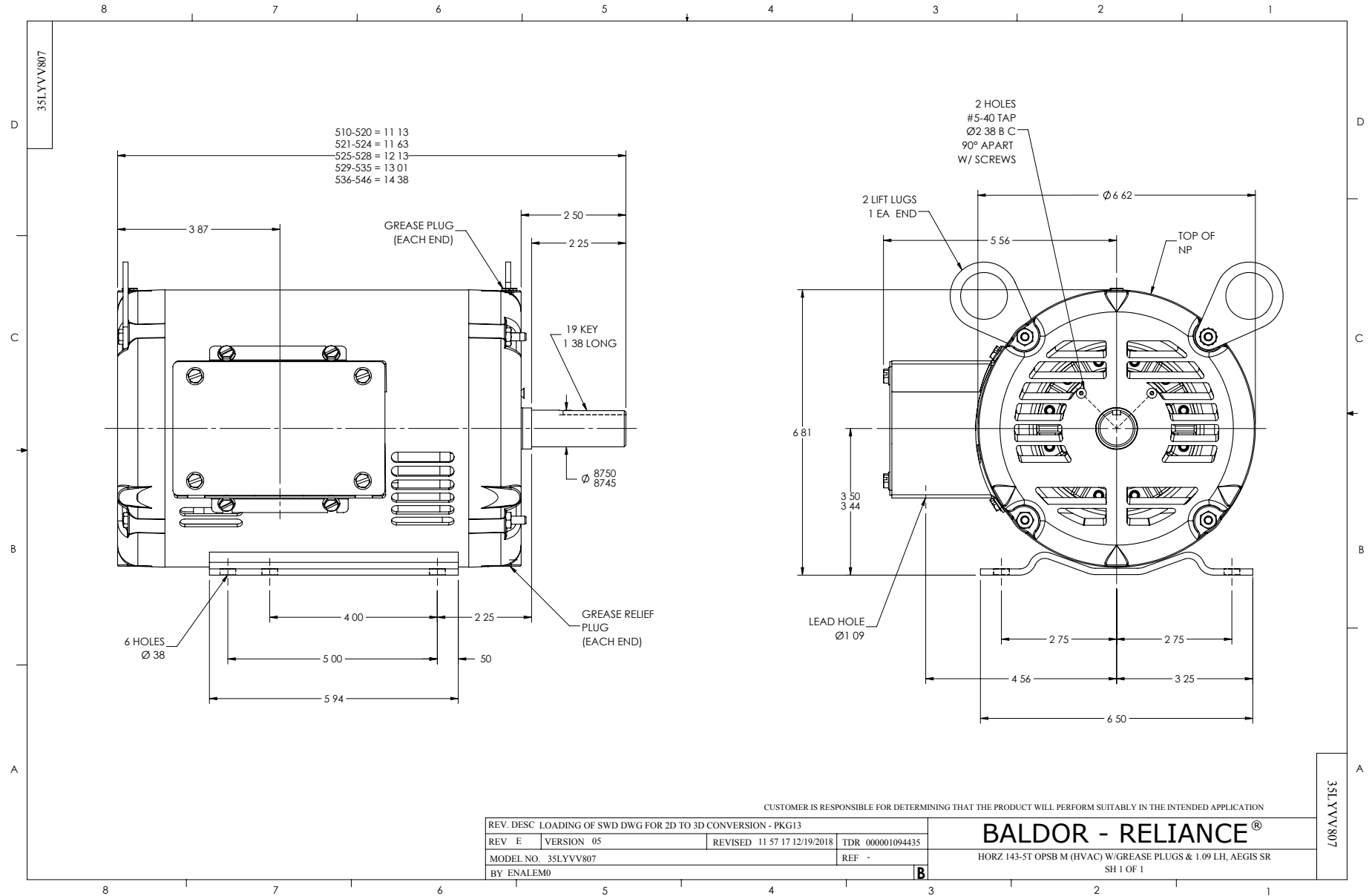
WINDING # 35WGM848

Typical performance - not guaranteed values.

1 HP 3 PH 60 HZ 1760 RPM 200 V 3520M
 TORQUES(LB-FT): PO=13.4 PU=8.19 LR=8.46 LRA=28.4



5/13/2020 ACPERF, record # 32067



CD0006



NOTES:

1. THREE LEAD MOTOR MAY BE EITHER WYE CONNECTED OR DELTA CONNECTED.
2. INTERCHANGE ANY TWO LINE LEADS TO REVERSE ROTATION.
3. OPTIONAL THERMOSTATS ARE PROVIDED WHEN SPECIFIED.
4. ACTUAL NUMBER OF INTERNAL PARALLEL CIRCUITS MAY VARY.
5. LEAD COLORS ARE OPTIONAL. LEADS MUST BE NUMBERED AS SHOWN.

CD0006

| | | |
|-----------------------------------|------------------------------|-------------------|
| REV. DESC: ADD CLASS CONN00000007 | | |
| REV. LTR: E | VERSION: 01 | TDR: 000001099922 |
| FILE: \AAA\00005\141 | REVISED: 10:24:49 02/19/2019 | BY: ENBRIRO |
| MTL: - | © □ | |

BALDOR - RELIANCE®

3PH, SV, 3 LEADS, WYE OR DELTA CONNECTED

SH 1 of 1